

# CROFT, LLC

## SERIES 96W/96WB SINGLE HUNG WINDOW (NON-HVHZ)(NON-IMPACT)

### INSTALLATION NOTES:

- ONE (1) INSTALLATION ANCHOR IS REQUIRED AT EACH ANCHOR LOCATION SHOWN, UNLESS OTHERWISE STATED.
- SHIM AS REQUIRED WITH LOAD BEARING SHIM(S) TO ACHIEVE A SQUARE AND PLUMB INSTALLATION. MAXIMUM ALLOWABLE SHIM STACK TO BE 1/4 INCH. SHIM WHERE SPACE OF 1/16 INCH OR GREATER OCCURS. SHIM(S) SHALL BE CONSTRUCTED OF HIGH DENSITY PLASTIC OR BETTER.
- THE NUMBER OF INSTALLATION ANCHORS DEPICTED IS THE MINIMUM NUMBER OF ANCHORS TO BE USED FOR PRODUCT INSTALLATION.
- INSTALL INDIVIDUAL INSTALLATION ANCHORS WITHIN A TOLERANCE OF ±1/2 INCH OF THE DEPICTED LOCATION IN THE ANCHOR LAYOUT DETAIL (I.E., WITHOUT CONSIDERATION OF TOLERANCES). TOLERANCES ARE NOT CUMULATIVE FROM ONE INSTALLATION ANCHOR TO THE NEXT.
- FIN/FLANGE FRAMES:** FOR INSTALLATION INTO 2X WOOD BUCK, USE #10 WOOD SCREWS OF SUFFICIENT LENGTH TO ACHIEVE 1 1/2 INCH MINIMUM EMBEDMENT INTO WOOD SUBSTRATE.
- FLANGE FRAMES:** FOR INSTALLATION THROUGH 1X BUCK TO CONCRETE/MASONRY, OR DIRECTLY INTO CONCRETE/ MASONRY, USE ONE (1) 3/16 INCH ITW TAPCON PER INSTALLATION CLIP OF SUFFICIENT LENGTH TO ACHIEVE 1 1/4 INCH MINIMUM EMBEDMENT INTO CONCRETE/MASONRY SUBSTRATE.
- FIN/FLANGE FRAMES:** FOR INSTALLATION THROUGH STEEL STUD USE #10 SELF-TAPPING SCREWS OF SUFFICIENT LENGTH TO ACHIEVE 3 THREADS MINIMUM PENETRATION BEYOND STEEL STRUCTURE.
- MINIMUM EMBEDMENT AND EDGE DISTANCE EXCLUDE WALL FINISHES, INCLUDING BUT NOT LIMITED TO STUCCO, FOAM, BRICK VENEER, AND SIDING.
- INSTALLATION ANCHORS AND ASSOCIATED HARDWARE MUST BE MADE OF CORROSION RESISTANT MATERIAL OR HAVE A CORROSION RESISTANT COATING.
- FOR HOLLOW BLOCK AND GROUT FILLED BLOCK, DO NOT INSTALL INSTALLATION ANCHORS INTO MORTAR JOINTS. EDGE DISTANCE IS MEASURED FROM FREE EDGE OF BLOCK OR EDGE OF MORTAR JOINT INTO FACE SHELL OF BLOCK.
- INSTALLATION ANCHORS SHALL BE INSTALLED IN ACCORDANCE WITH ANCHOR MANUFACTURER'S INSTALLATION INSTRUCTIONS, AND ANCHORS SHALL NOT BE USED IN SUBSTRATES WITH STRENGTHS LESS THAN THE MINIMUM STRENGTH SPECIFIED BY THE ANCHOR MANUFACTURER.
- INSTALLATION ANCHOR CAPACITIES FOR PRODUCTS
- HEREIN ARE BASED ON SUBSTRATE MATERIALS WITH THE FOLLOWING PROPERTIES:
  - WOOD - MINIMUM SPECIFIC GRAVITY OF 0.55.
  - CONCRETE -MINIMUM COMPRESSIVE STRENGTH OF 3000 PSI.
  - GROUT-FILLED CMU- UNIT STRENGTH CONFORMS TO ASTM C-90 WITH MINIMUM COMPRESSIVE STRENGTH OF 2000 PSI AND GROUT CONFORMS TO ASTM C 476, MINIMUM GROUT COMPRESSIVE STRENGTH OF 2000 PSI.
  - HOLLOW BLOCK CMU - UNIT STRENGTH CONFORMS TO ASTM C-90 WITH MINIMUM COMPRESSIVE STRENGTH OF 2000 PSI.
  - STEEL - MINIMUM YIELD STRENGTH OF 33 KSI. MINIMUM WALL THICKNESS OF 33 MILS. (20 GAUGE)

### GENERAL NOTES:

- THE PRODUCT SHOWN HEREIN IS DESIGNED AND MANUFACTURED TO COMPLY WITH THE CURRENT FLORIDA BUILDING CODE (FBC) EXCLUDING HVHZ AND HAS BEEN EVALUATED ACCORDING TO THE FOLLOWING:
  - AAMA/WDMA/CSA 101/I.S.2/A440-08
- ADEQUACY OF THE EXISTING STRUCTURAL CONCRETE/MASONRY, 2X AND METAL STUD FRAMING AS A MAIN WIND FORCE RESISTING SYSTEM CAPABLE OF WITHSTANDING AND TRANSFERRING APPLIED PRODUCT LOADS TO THE FOUNDATION IS THE RESPONSIBILITY OF THE ENGINEER OR ARCHITECT OF RECORD FOR THE PROJECT OF INSTALLATION.
- 1X AND 2X BUCKS (WHEN USED) SHALL BE DESIGNED AND ANCHORED TO PROPERLY TRANSFER ALL LOADS TO THE STRUCTURE. BUCK DESIGN AND INSTALLATION IS THE RESPONSIBILITY OF THE ENGINEER OR ARCHITECT OF RECORD FOR THE PROJECT OF INSTALLATION.
- THE INSTALLATION DETAILS DESCRIBED HEREIN ARE GENERIC AND MAY NOT REFLECT ACTUAL CONDITIONS FOR A SPECIFIC SITE. IF SITE CONDITIONS CAUSE INSTALLATION TO DEVIATE FROM THE REQUIREMENTS DETAILED HEREIN, A LICENSED ENGINEER OR ARCHITECT SHALL PREPARE SITE SPECIFIC DOCUMENTS FOR USE WITH THIS DOCUMENT.
- APPROVED IMPACT PROTECTIVE SYSTEM IS REQUIRED TO PROTECT THIS PRODUCT IN AREAS REQUIRING IMPACT RESISTANCE.
- WINDOW FRAME MATERIAL: 6063-T5 ALUMINUM
- GLASS SHALL MEET REQUIREMENTS OF ASTM E1300 GLASS CHARTS. SEE SHEET 4 FOR GLAZING DETAILS.
- DESIGNATIONS "X" AND "O" STAND FOR THE FOLLOWING:
  - X: OPERABLE PANEL
  - O: FIXED PANEL

TABLE OF CONTENTS	
SHEET	SHEET DESCRIPTION
1	GENERAL & INSTALLATION NOTES
2	ELEVATIONS & ANCHOR LAYOUTS
3	INSTALLATION DETAILS - FLANGE FRAME
4	GLAZING & INSTALLATION DETAILS - FIN FRAME
5	COMPONENTS & BILL OF MATERIALS

FRAME TYPE	OVERALL SIZE		DESIGN PRESSURE	MISSILE IMPACT RATING
	WIDTH	HEIGHT		
FLANGE	52.25"	75.75"	+/- 35 PSF	NON-IMPACT
FIN	48"	72"	+/- 35 PSF	
	36"	72"	+/- 40 PSF	



1800 NORTH CLARK AVE.  
MAGNOLIA, MS 39652  
PH: (601) 684-6121

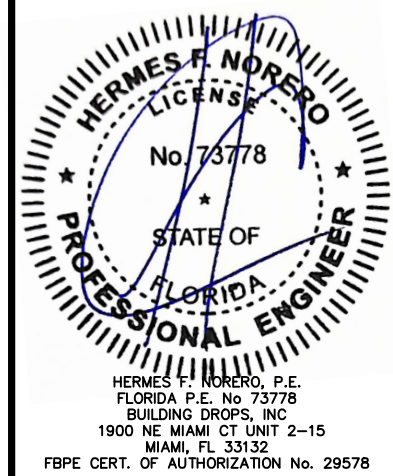
TITLE: SERIES 96W/96WB SINGLE HUNG WINDOW (NON-HVHZ)(NON-IMPACT) GENERAL & INSTALLATION NOTES

PREPARED BY: BUILDING DROPS, INC.  
1900 NE MIAMI CT UNIT 2-15  
MIAMI, FL 33132  
PH: (954) 399-8478  
FAX: (954) 744-4738  
WEB: www.buildingdrops.com



REMARKS	BY	DATE
5TH FBC CODE CHANGE	LS	2.11.16
7TH FBC CODE CHANGE	NUS	11.23.20
NEW CERTIFICATE	AC	08.18.21

THE INSTALLATION DETAILS DESCRIBED HEREIN ARE GENERIC AND MAY NOT REFLECT ACTUAL CONDITIONS FOR A SPECIFIC SITE. IF SITE CONDITIONS CAUSE INSTALLATION TO DEVIATE FROM THE REQUIREMENTS DETAILED HEREIN, A LICENSED ENGINEER OR ARCHITECT SHALL PREPARE SITE SPECIFIC DOCUMENTS FOR USE WITH THIS DOCUMENT.



FL #: **FL37180**

DATE: **08.08.13**

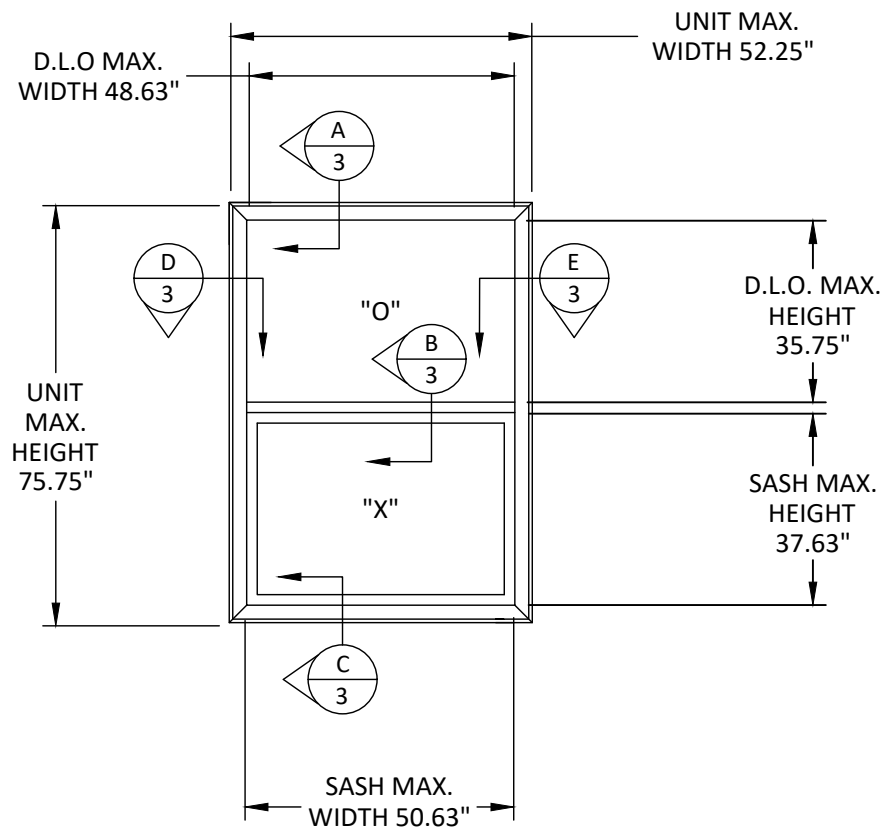
DWG. BY: **MSS** CHK. BY: **HFN**

SCALE: **NTS**

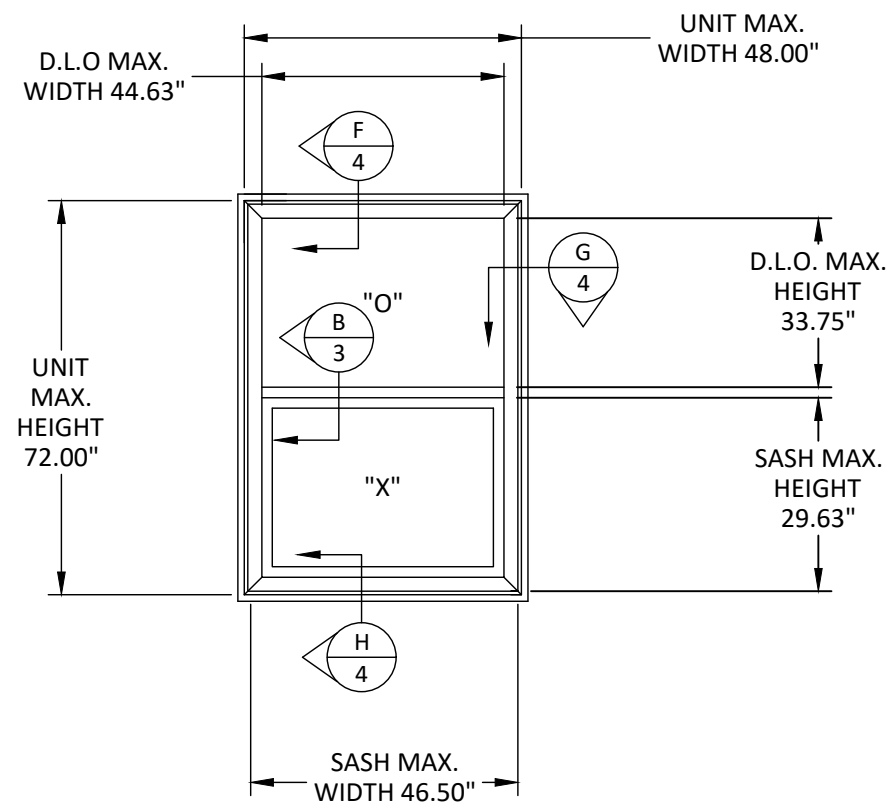
DWG. #: **CRF014**

SHEET: **1** OF 5

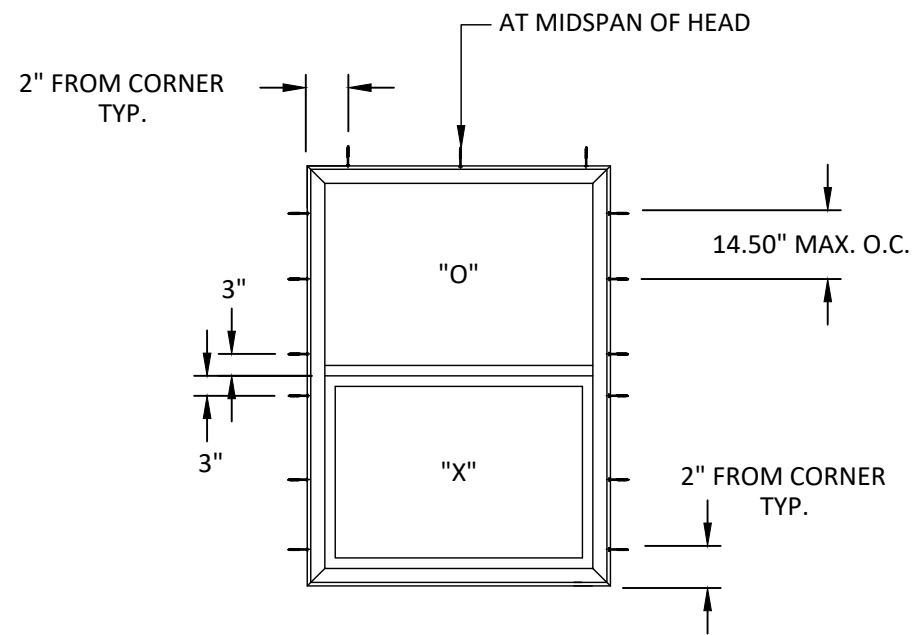
1/5/2024 9:05 AM  
 z:\projects\crof.lic\fbc-23-1126 - fbc submittal - nami update\dwgs\137180\crf014 fbc23.dwg



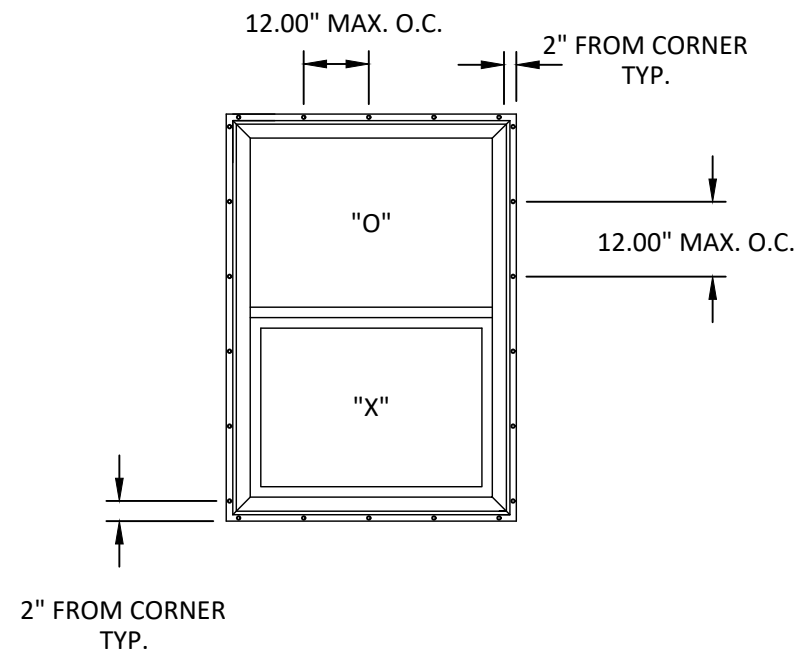
**ELEVATION**  
**FLANGE FRAME**



**ELEVATION**  
**FIN FRAME**



**ANCHOR LAYOUT**  
**FLANGE FRAME**



**ANCHOR LAYOUT**  
**FIN FRAME**  
**48\"/>**



1800 NORTH CLARK AVE.  
 MAGNOLIA, MS 39652  
 PH: (601) 684-6121

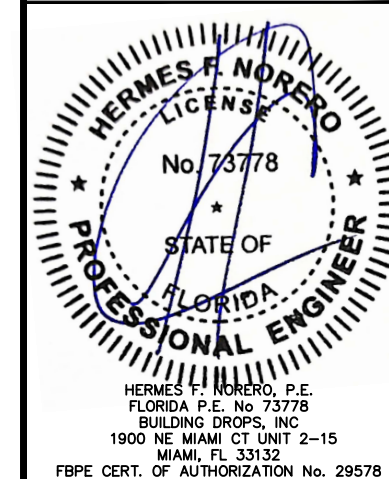
TITLE: **SERIES 96W/96WB SINGLE HUNG WINDOW (NON-HVHZ)/(NON-IMPACT) ELEVATIONS & ANCHOR LAYOUTS**

PREPARED BY: **BUILDING DROPS, INC.**  
 1900 NE MIAMI CT UNIT 2-15  
 MIAMI, FL 33132  
 PH: (954) 399-8478  
 FAX: (954) 744-4738  
 WEB: www.buildingdrops.com



REMARKS	BY	DATE
5TH FBC CODE CHANGE	LS	2.11.16
7TH FBC CODE CHANGE	NUS	11.23.20
NEW CERTIFICATE	AC	08.18.21

THE INSTALLATION DETAILS DESCRIBED HEREIN ARE GENERIC AND MAY NOT REFLECT ACTUAL CONDITIONS FOR A SPECIFIC SITE. IF SITE CONDITIONS CAUSE INSTALLATION TO DEVIATE FROM THE REQUIREMENTS DETAILED HEREIN, A LICENSED ENGINEER OR ARCHITECT SHALL PREPARE SITE SPECIFIC DOCUMENTS FOR USE WITH THIS DOCUMENT.



FL #: **FL37180**

DATE: **08.08.13**

DWG. BY: **MSS**      CHK. BY: **HFN**

SCALE: **NTS**

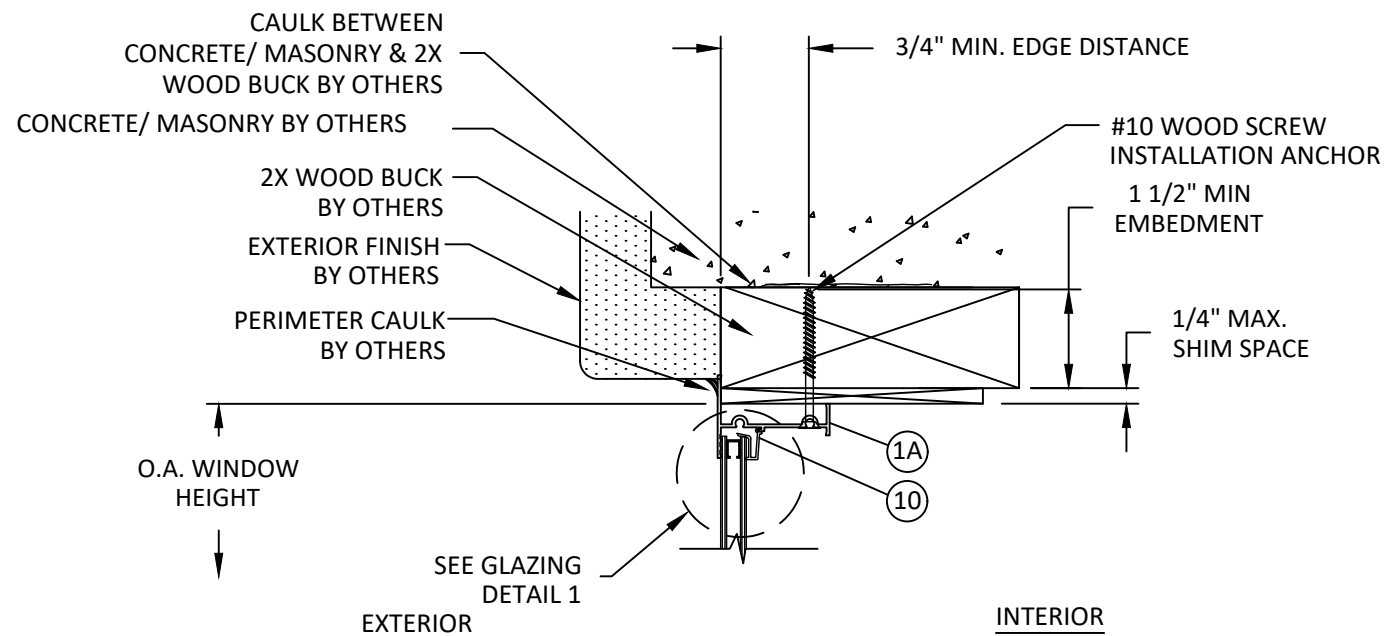
DWG. #: **CRF014**

SHEET:

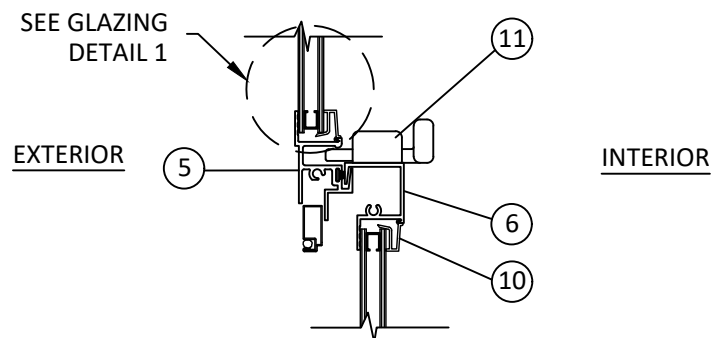
**2**

OF 5

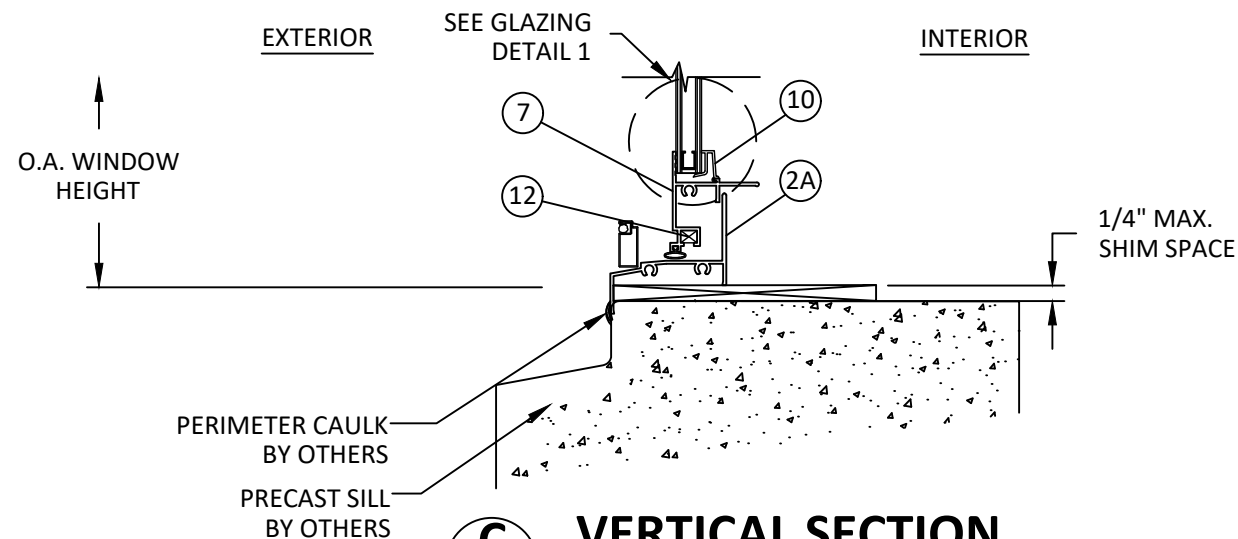
1/5/2024 9:05 AM  
 z:\projects\crof\l\bc-23-1126 - fbc submittal - nami update\dwgs\137180\crf014 fbc23.dwg



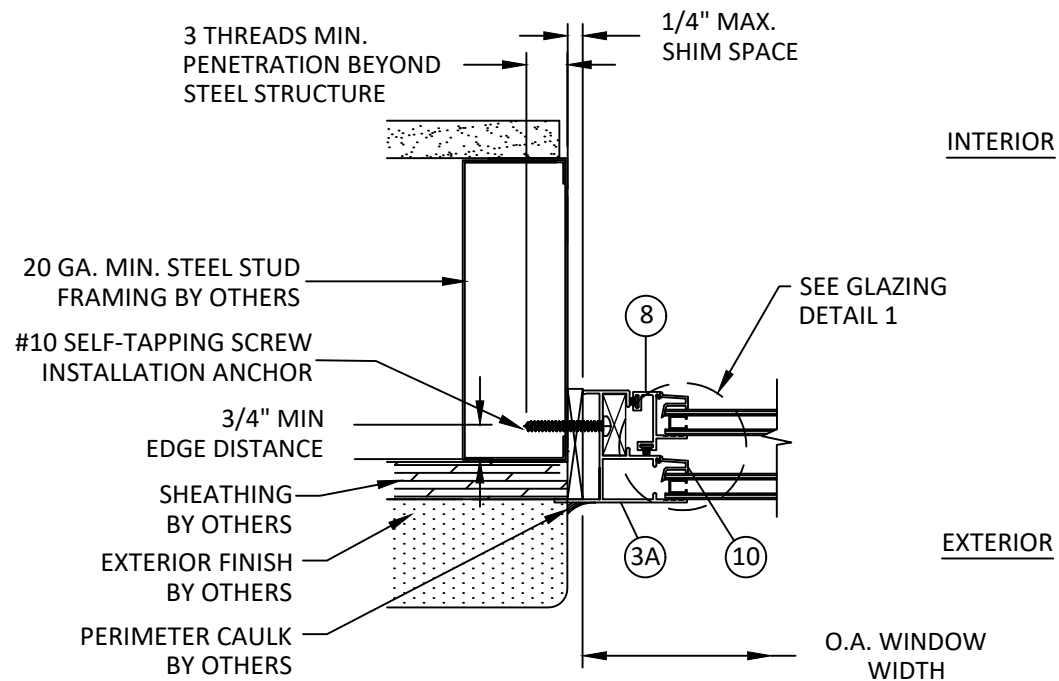
**A**  
**3**  
**VERTICAL SECTION**  
 HEAD - 2X WOOD BUCK  
 FLANGE FRAME



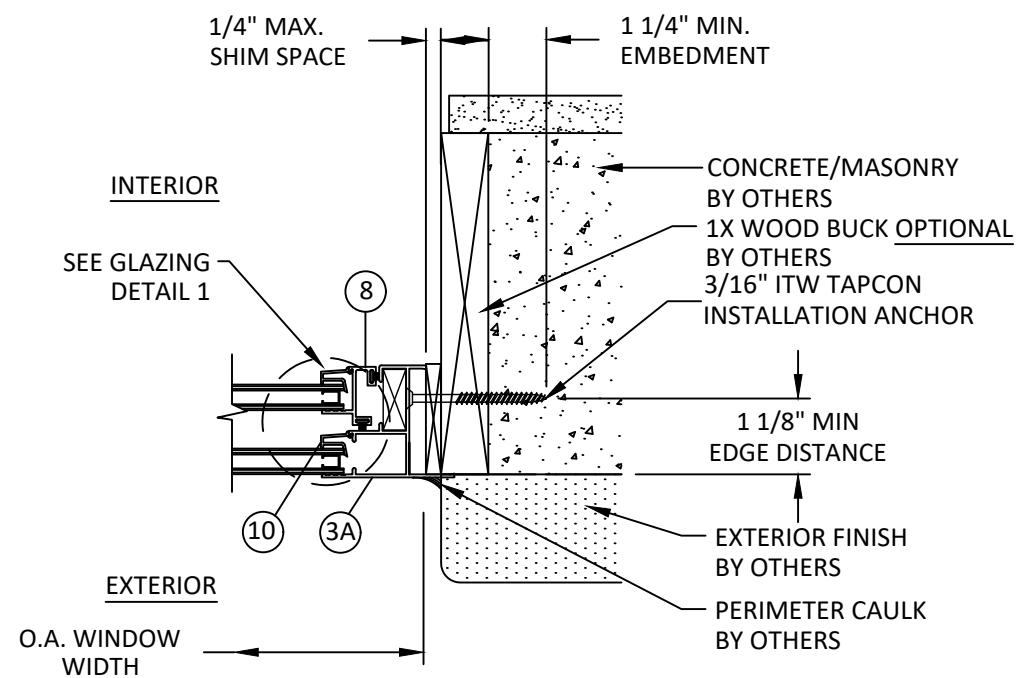
**B**  
**3**  
**VERTICAL SECTION**  
 MEETING RAIL



**C**  
**3**  
**VERTICAL SECTION**  
 SILL - PRECAST CONCRETE  
 FLANGE FRAME



**D**  
**3**  
**HORIZONTAL SECTION**  
 JAMB - STEEL STUD FRAME  
 FLANGE FRAME



**E**  
**3**  
**HORIZONTAL SECTION**  
 JAMB - 1X BUCK/CONCRETE/MASONRY  
 FLANGE FRAME

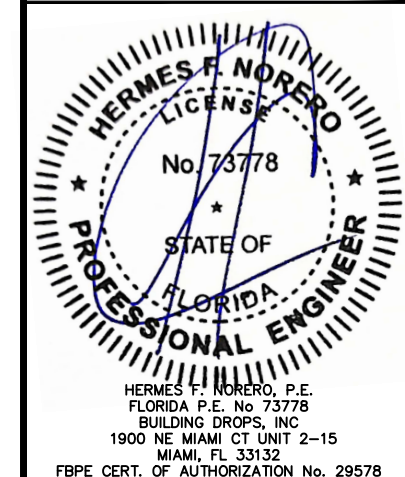


1800 NORTH CLARK AVE.  
 MAGNOLIA, MS 39652  
 PH: (601) 684-6121

TITLE: **SERIES 96W/96WB SINGLE HUNG WINDOW (NON-HVHZ)/(NON-IMPACT)**  
 INSTALLATION DETAILS - FLANGE FRAME  
 PREPARED BY: **BUILDING DROPS, INC.**  
 1900 NE MIAMI CT UNIT 2-15  
 MIAMI, FL 33132  
 PH: (954) 399-8478  
 FAX: (954) 744-4738  
 WEB: www.buildingdrops.com

REMARKS	BY	DATE
5TH FBC CODE CHANGE	LS	2.11.16
7TH FBC CODE CHANGE	NUS	11.23.20
NEW CERTIFICATE	AC	08.18.21

THE INSTALLATION DETAILS DESCRIBED HEREIN ARE GENERIC AND MAY NOT REFLECT ACTUAL CONDITIONS FOR A SPECIFIC SITE. IF SITE CONDITIONS CAUSE INSTALLATION TO DEVIATE FROM THE REQUIREMENTS DETAILED HEREIN, A LICENSED ENGINEER OR ARCHITECT SHALL PREPARE SITE SPECIFIC DOCUMENTS FOR USE WITH THIS DOCUMENT.



FL #: **FL37180**

DATE: **08.08.13**

DWG. BY: <b>MSS</b>	CHK. BY: <b>HFN</b>
SCALE: <b>NTS</b>	
DWG. #: <b>CRF014</b>	

SHEET: **3**  
 OF 5

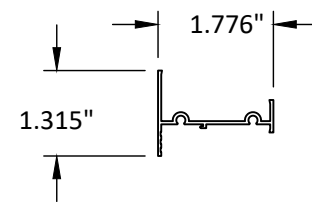




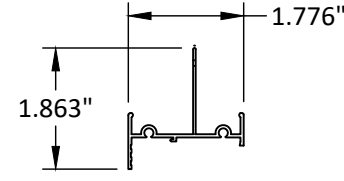
BILL OF MATERIAL

ITEM #	DESCRIPTION	MATERIAL	MANUFACTURER
1A	FRAME HEAD - FLANGE	6063-T5 ALUMINUM	CROFT, LLC
1B	FRAME HEAD - FIN	6063-T5 ALUMINUM	CROFT, LLC
2A	FRAME SILL - FLANGE	6063-T5 ALUMINUM	CROFT, LLC
2B	FRAME SILL - FIN	6063-T5 ALUMINUM	CROFT, LLC
3A	FRAME JAMB (LH) - FLANGE	6063-T5 ALUMINUM	CROFT, LLC
3B	FRAME JAMB (LH) - FIN	6063-T5 ALUMINUM	CROFT, LLC
4A	FRAME JAMB (RH) - FLANGE	6063-T5 ALUMINUM	CROFT, LLC
4B	FRAME JAMB (RH) - FIN	6063-T5 ALUMINUM	CROFT, LLC
5	MEETING RAIL	6063-T5 ALUMINUM	CROFT, LLC
6	VENT HEAD	6063-T5 ALUMINUM	CROFT, LLC
7	VENT SILL	6063-T5 ALUMINUM	CROFT, LLC
8	VENT JAMB	6063-T5 ALUMINUM	CROFT, LLC
9	VENT STOP	6063-T5 ALUMINUM	CROFT, LLC
10	GLAZING BEAD	RIGID PVC	CROFT, LLC
11	CAM LOCK	-	CROFT, LLC
12	PIVOT BAR	-	CROFT, LLC
13	BALANCE ASSEMBLY	-	CROFT, LLC
14	VINYL SEAL	-	CROFT, LLC
15	WOOLPILE	-	CROFT, LLC

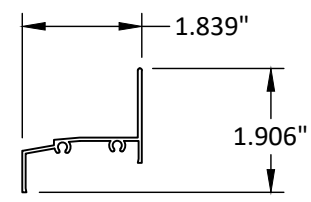
**1A** FRAME HEAD - FLANGE  
6063-T5 AL.  
TYPICAL WALL THICKNESS: .050"



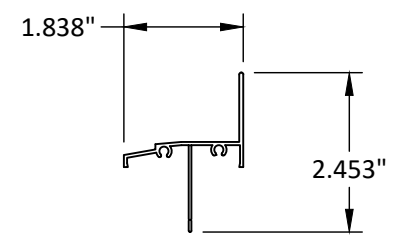
**1B** FRAME HEAD - FIN  
6063-T5 AL.  
TYPICAL WALL THICKNESS: .050"



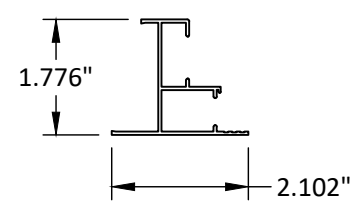
**2A** FRAME SILL - FLANGE  
6063-T5 AL.  
TYPICAL WALL THICKNESS: .050"



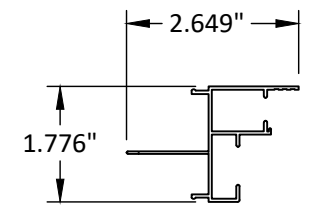
**2B** FRAME SILL - FIN  
6063-T5 AL.  
TYPICAL WALL THICKNESS: .050"



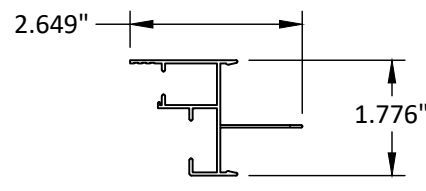
**3A** **4A** FRAME JAMB (LH/RH) - FLANGE  
6063-T5 AL.  
TYPICAL WALL THICKNESS: .050"



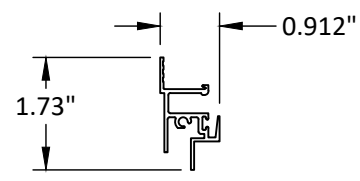
**3B** FRAME JAMB (LH) - FIN  
6063-T5 AL.  
TYPICAL WALL THICKNESS: .050"



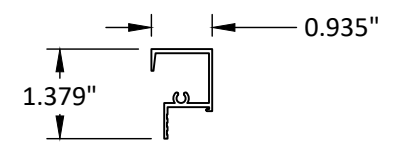
**4B** FRAME JAMB (RH) - FIN  
6063-T5 AL.  
TYPICAL WALL THICKNESS: .050"



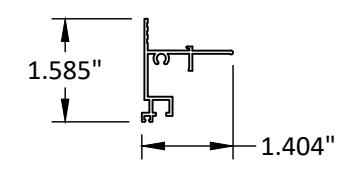
**5** MEETING RAIL  
6063-T5 AL.  
TYPICAL WALL THICKNESS: .050"



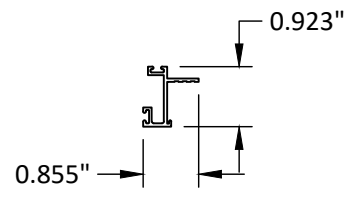
**6** VENT HEAD  
6063-T5 AL.  
TYPICAL WALL THICKNESS: .050"



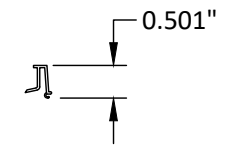
**7** VENT SILL  
6063-T5 AL.  
TYPICAL WALL THICKNESS: .050"



**8** VENT JAMB  
6063-T5 AL.  
TYPICAL WALL THICKNESS: .050"



**10** GLAZING BEAD  
RIGID PVC



**CROFT**  
Est. 1920

1800 NORTH CLARK AVE.  
MAGNOLIA, MS 39652  
PH: (601) 684-6121

TITLE: SERIES 96W/96WB SINGLE HUNG WINDOW (NON-HVHZ)/(NON-IMPACT) COMPONENTS & BILL OF MATERIALS

PREPARED BY: BUILDING DROPS, INC.  
1900 NE MIAMI CT UNIT 2-15  
MIAMI, FL 33132  
PH: (954) 399-8478  
FAX: (954) 744-4738  
WEB: www.buildingdrops.com

**BD**  
BUILDING DROPS

REMARKS	BY	DATE
5TH FBC CODE CHANGE	LS	2.11.16
7TH FBC CODE CHANGE	NUS	11.23.20
NEW CERTIFICATE	AC	08.18.21

THE INSTALLATION DETAILS DESCRIBED HEREIN ARE GENERIC AND MAY NOT REFLECT ACTUAL CONDITIONS FOR A SPECIFIC SITE. IF SITE CONDITIONS CAUSE INSTALLATION TO DEVIATE FROM THE REQUIREMENTS DETAILED HEREIN, A LICENSED ENGINEER OR ARCHITECT SHALL PREPARE SITE SPECIFIC DOCUMENTS FOR USE WITH THIS DOCUMENT.

**HERMES F. NORERO**  
LICENSE  
No. 73778  
STATE OF  
FLORIDA  
PROFESSIONAL ENGINEER

HERMES F. NORERO, P.E.  
FLORIDA P.E. No. 73778  
BUILDING DROPS, INC.  
1900 NE MIAMI CT UNIT 2-15  
MIAMI, FL 33132  
FBPE CERT. OF AUTHORIZATION No. 29578

FL #: **FL37180**

DATE: **08.08.13**

DWG. BY: **MSS**      CHK. BY: **HFN**

SCALE: **NTS**

DWG. #: **CRF014**

SHEET: **5** OF 5